

MIRROR WITH FRONTAL AND SIDE LIGHT art. L45922



TECHNICAL INFORMATION:

The LED's assembled in Italy, are easily replaceable.
230V, Classell, IP44, LED on rigid support 1 x 19.6 WATT
measuring 49.5 x 2.5cm and 2 x 9.8 WATT measuring 110x2.5cm
4870 lumens of natural light color (> 4000K)
CE
Comply with the directives 2006/95 / EC and 2004/108 / EC in
terms of electrical safety and electromagnetic compatibility

MATERIALS:

High-quality glass,
thickness 5 mm,
ecological production without lead and copper.
Structure of anodized aluminium

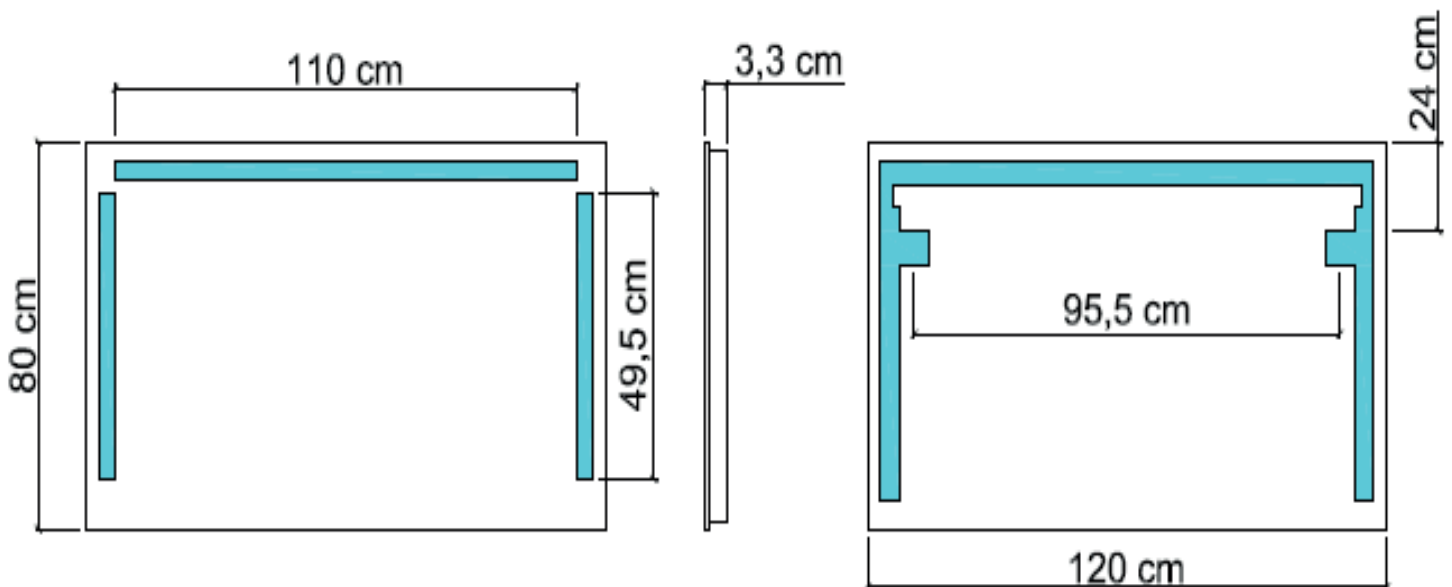
COMPATIBILITY ENERGY:

WARRANTY:



NOTE

Available on request socket and switch KIT ART. Cb2 and
anti-steam KIT ART. CB3/1-CB3/2



MIRROR WITH FRONTAL AND SIDE LIGHT art. L45923



TECHNICAL INFORMATION:

The LED's assembled in Italy, are easily replaceable.
230V, Classell, IP44, LED on rigid support 1 x 19.6 WATT
measuring 49.5 x 2.5cm and 2 x 9.8 WATT measuring 110x2.5cm
4870 lumens of natural light color (> 4000K)

CE

Comply with the directives 2006/95 / EC and 2004/108 / EC in terms of electrical safety and electromagnetic compatibility

MATERIALS:

High-quality glass,
thickness 5 mm,
ecological production without lead and copper.
Structure of anodized aluminium

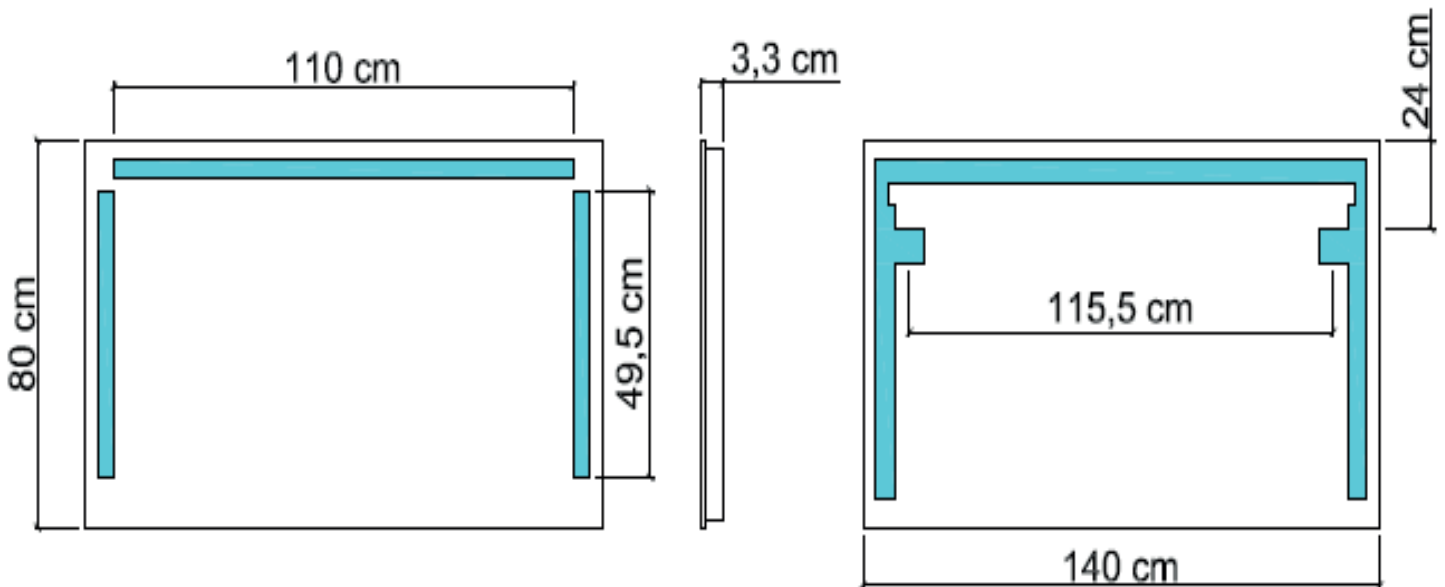
COMPATIBILITY ENERGY:

WARRANTY:



NOTE

Available on request socket and switch KIT ART. Cb2 and anti-steam KIT ART. CB3/1-CB3/2



MIRROR WITH FRONTAL AND SIDE LIGHT art. L45924



TECHNICAL INFORMATION:

The LED's assembled in Italy, are easily replaceable.
230V, Classell, IP44, LED on rigid support 1 x 19.6 WATT
measuring 49.5 x 2.5cm and 2 x 9.8 WATT measuring 110x2.5cm
4870 lumens of natural light color (> 4000K)
CE
Comply with the directives 2006/95 / EC and 2004/108 / EC in
terms of electrical safety and electromagnetic compatibility

MATERIALS:

High-quality glass,
thickness 5 mm,
ecological production without lead and copper.
Structure of anodized aluminium

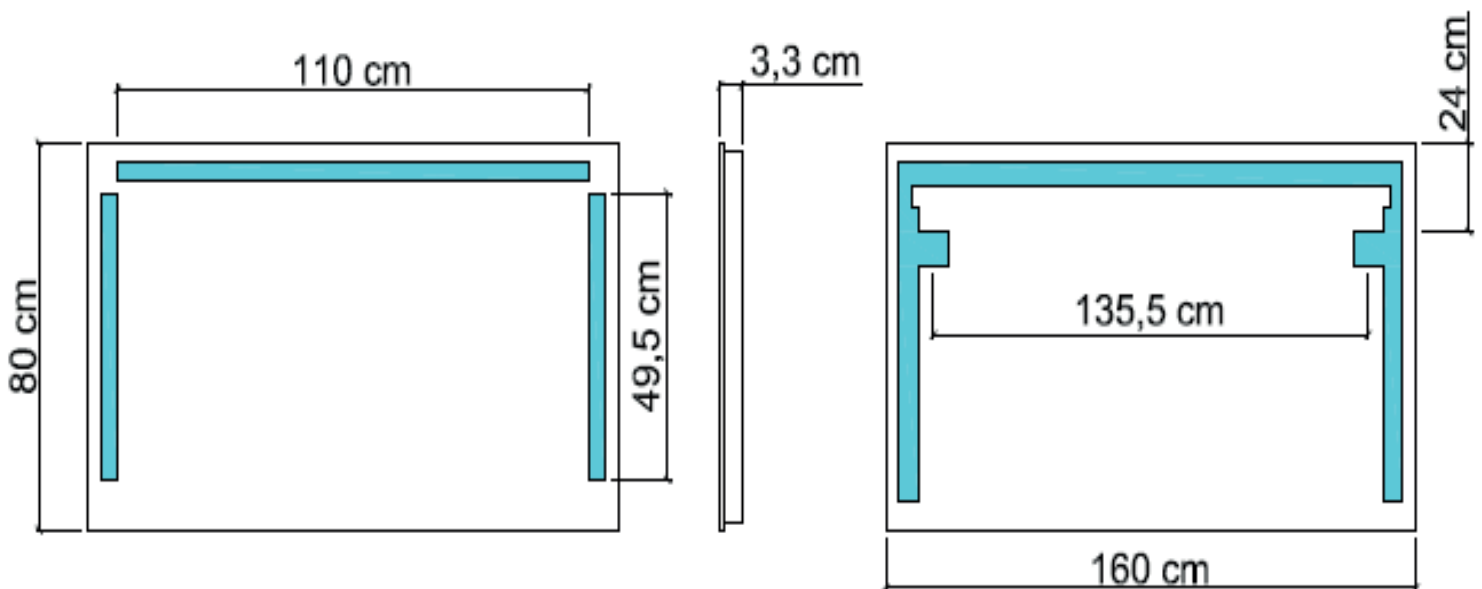
COMPATIBILITY ENERGY:

WARRANTY:



NOTE

Available on request socket and switch KIT ART. Cb2 and
anti-steam KIT ART. CB3/1-CB3/2



MIRROR WITH FRONTAL AND SIDE LIGHT art. L45925



TECHNICAL INFORMATION:

The LED's assembled in Italy, are easily replaceable.
230V, Classell, IP44, LED on rigid support 1 x 19.6 WATT
measuring 49.5 x 2.5cm and 2 x 9.8 WATT measuring 110x2.5cm
4870 lumens of natural light color (> 4000K)

CE

Comply with the directives 2006/95 / EC and 2004/108 / EC in terms of electrical safety and electromagnetic compatibility

MATERIALS:

High-quality glass,
thickness 5 mm,
ecological production without lead and copper.
Structure of anodized aluminium

COMPATIBILITY ENERGY:



WARRANTY:



NOTE

Available on request socket and switch KIT ART. Cb2 and anti-steam KIT ART. CB3/1-CB3/2

