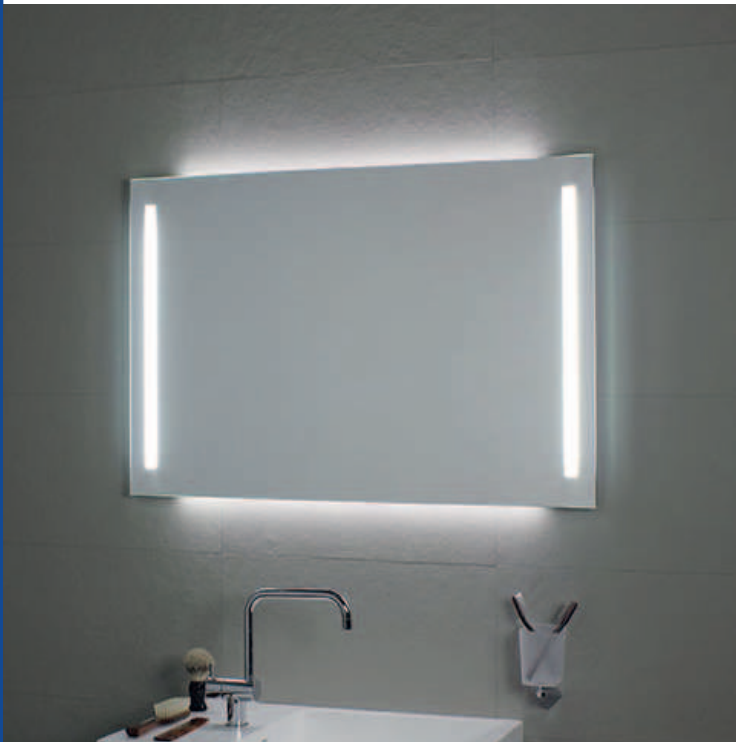


**MIRROR WITH ROOM LIGHT BEHIND THE MIRROR
AND FRONTAL LIGHT art. L45926**



TECHNICAL INFORMATION:

The LED's assembled in Italy, are easily replaceable.
230V, Class III, IP44

Frontal LED on rigid support 2 x 9.8 WATT measuring 49.5x2.5 cm
2320 lm of cold white light (> 4000K) and
environment LED 2x5.52 WATT, 680 lm of white cold light > 5500K
CE

Comply with the directives 2006/95 / EC and 2004/108 / EC in
terms of electrical safety and electromagnetic compatibility

MATERIALS:

High-quality glass,
thickness 5 mm,
ecological production without lead and copper.
Structure of anodized aluminium

COMPATIBILITY ENERGY:

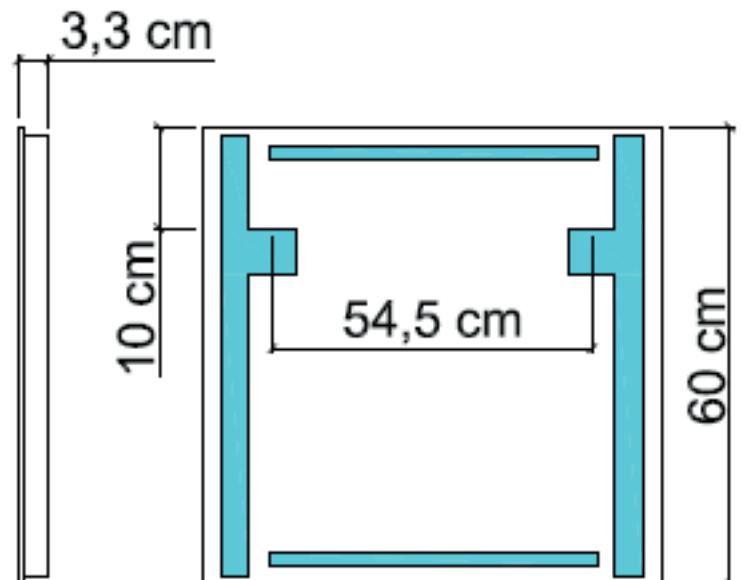
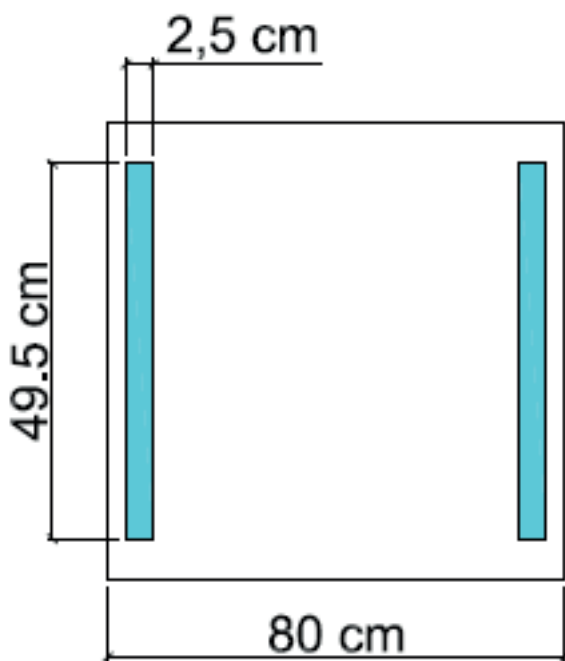


WARRANTY:

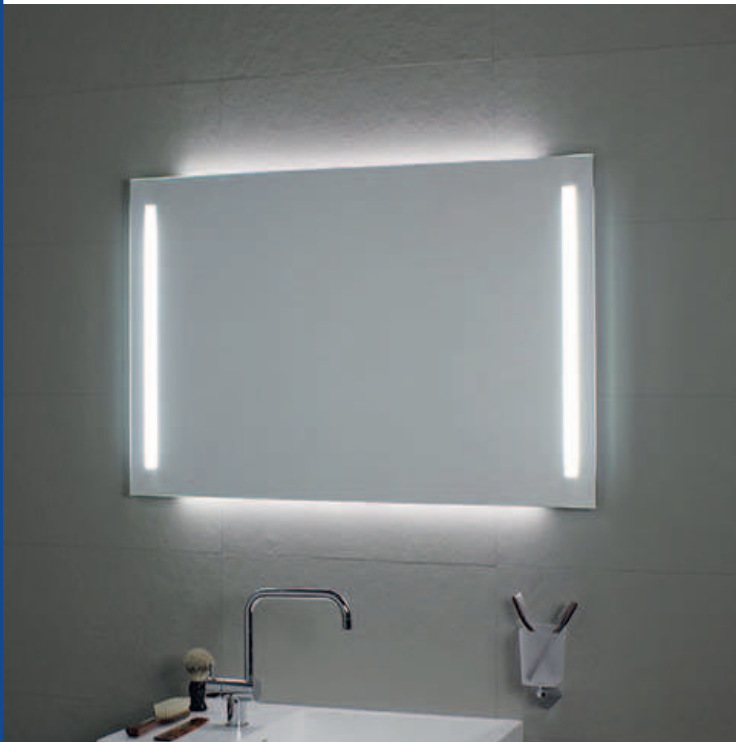


NOTES:

Available on request anti-steam KIT ART. CB3/1 CB3/2



**MIRROR WITH ROOM LIGHT BEHIND THE MIRROR
AND FRONTAL LIGHT art. L45927**



TECHNICAL INFORMATION:

The LED's assembled in Italy, are easily replaceable.
230V, Class III, IP44
Frontal LED on rigid support 2 x 14.7 WATT measuring 49.5x2.5 cm
2320 lm of cold white light (> 4000K) and
environment LED 2x4.56 WATT,
570 lm of white cold light > 5500K CE
Comply with the directives 2006/95 / EC and 2004/108 / EC in
terms of electrical safety and electromagnetic compatibility

MATERIALS:

High-quality glass,
thickness 5 mm,
ecological production without lead and copper.
Structure of anodized aluminium

COMPATIBILITY ENERGY:

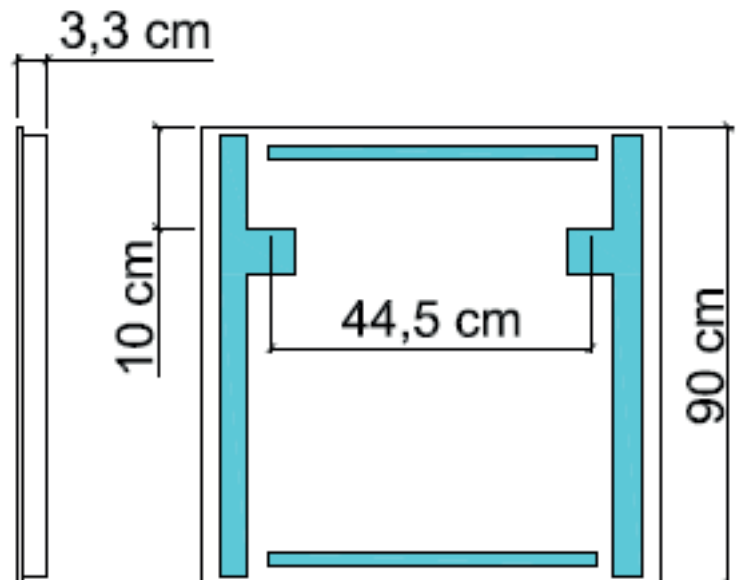
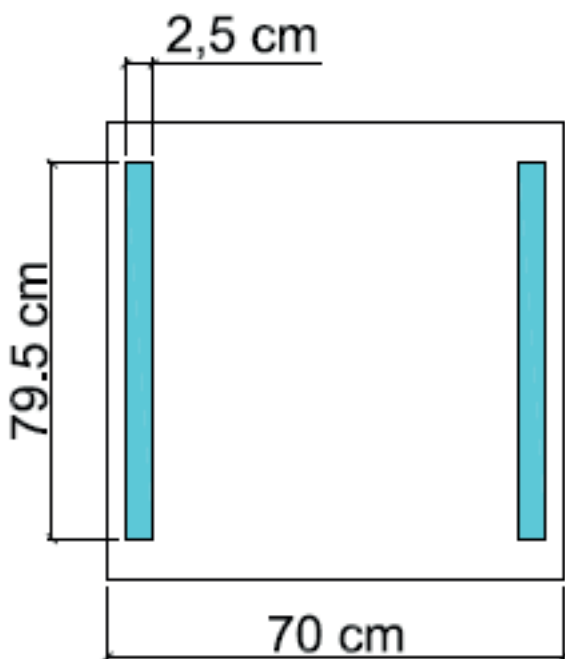


WARRANTY:

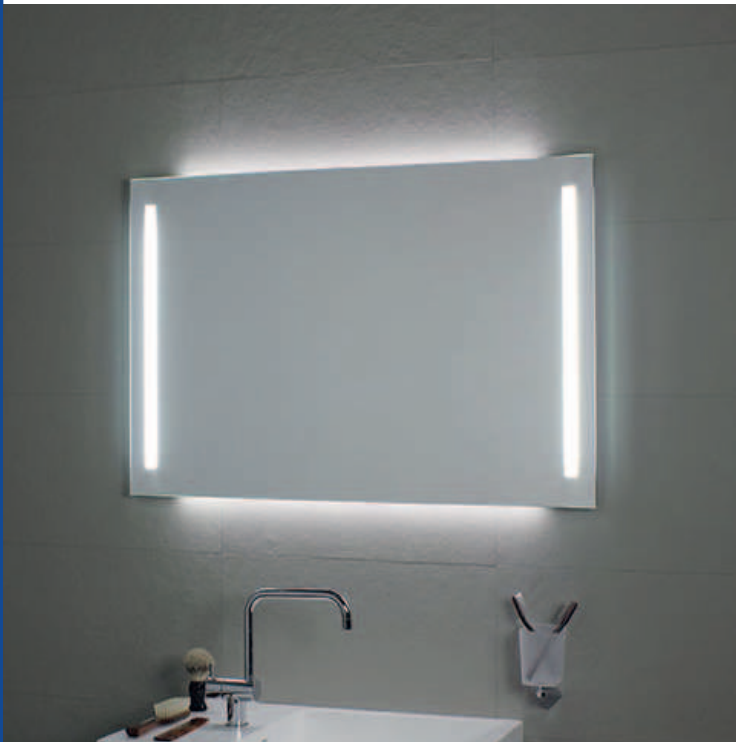


NOTES:

Available on request anti-steam KIT ART. CB3/1 CB3/2



**MIRROR WITH ROOM LIGHT BEHIND THE MIRROR
AND FRONTAL LIGHT art. L45928**



TECHNICAL INFORMATION:

The LED's assembled in Italy, are easily replaceable.
230V, Class III, IP44

Frontal LED on rigid support 2 x 9.8 WATT measuring 49.5x2.5 cm
2320 lm of cold white light (> 4000K) and
environment LED 2x7.44 WATT, 915 lm of white cold light > 5500K
CE

Comply with the directives 2006/95 / EC and 2004/108 / EC in
terms of electrical safety and electromagnetic compatibility

MATERIALS:

High-quality glass,
thickness 5 mm,
ecological production without lead and copper.
Structure of anodized aluminium

COMPATIBILITY ENERGY:

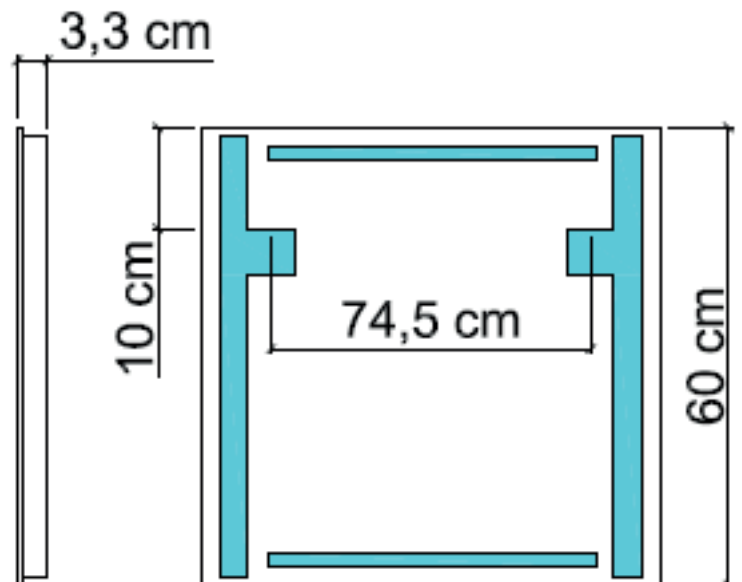
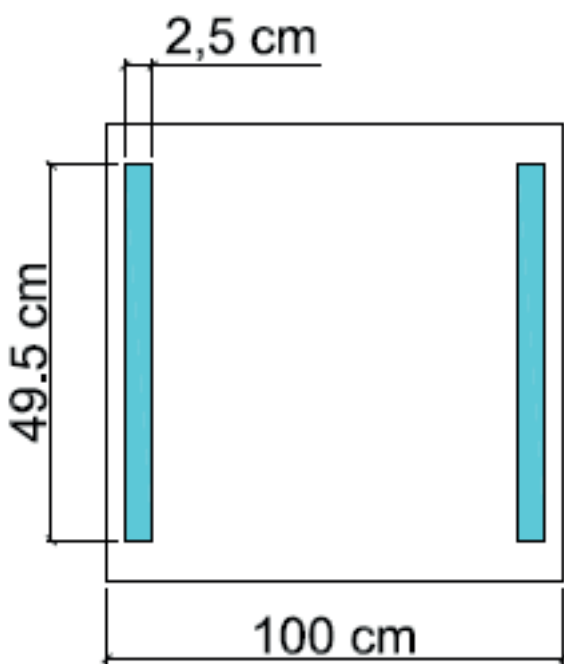


WARRANTY:

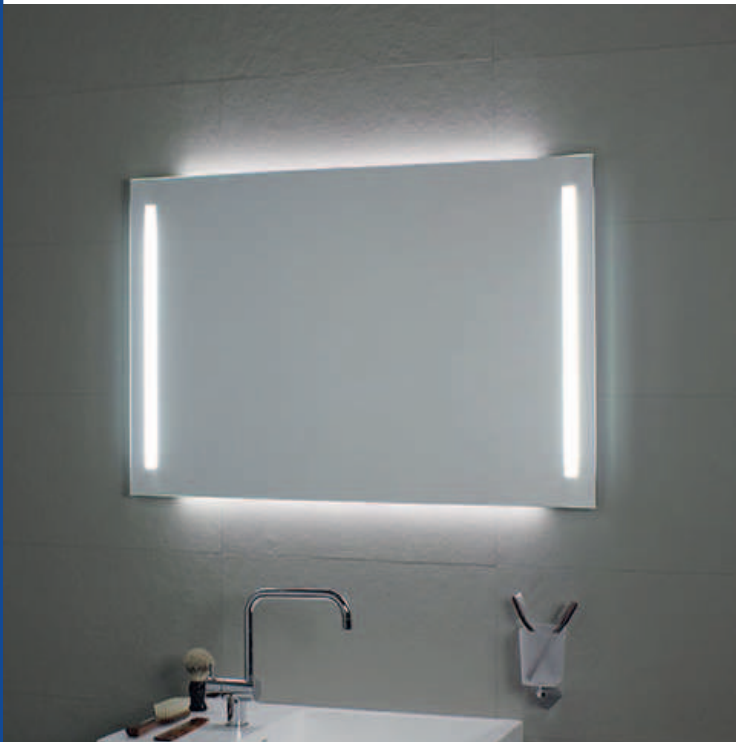


NOTES:

Available on request anti-steam KIT ART. CB3/1 CB3/2



**MIRROR WITH ROOM LIGHT BEHIND THE MIRROR
AND FRONTAL LIGHT art. L45929**



TECHNICAL INFORMATION:

The LED's assembled in Italy, are easily replaceable.
230V, Class III, IP44

Frontal LED on rigid support 2 x 9.8 WATT measuring 49.5x2.5 cm
2320 lm of cold white light (> 4000K) and
environment LED 2x9.36 WATT,

1140 lm of white cold light > 5500K CE

Comply with the directives 2006/95 / EC and 2004/108 / EC in
terms of electrical safety and electromagnetic compatibility

MATERIALS:

High-quality glass,
thickness 5 mm,
ecological production without lead and copper.
Structure of anodized aluminium

COMPATIBILITY ENERGY:

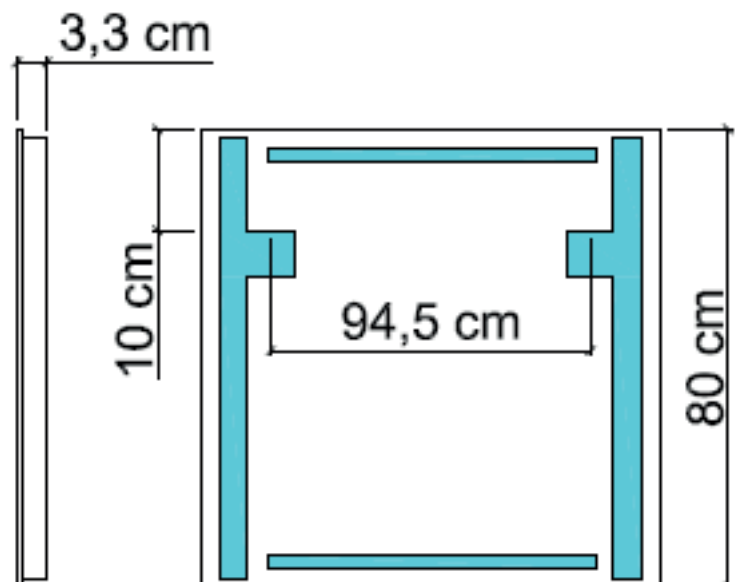
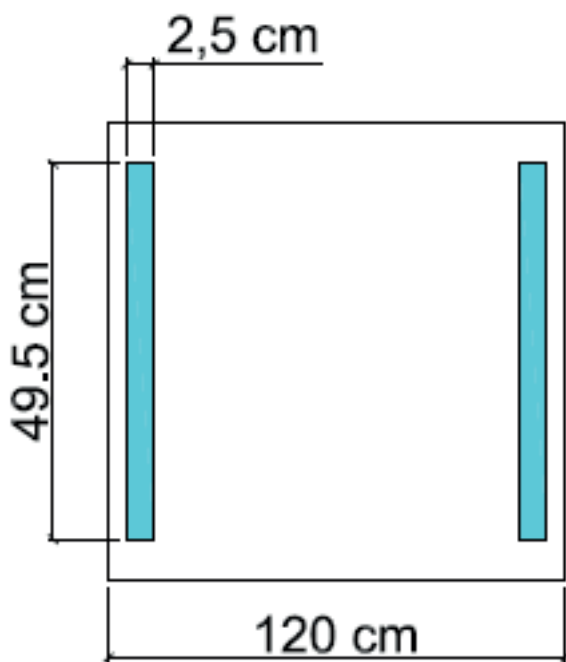


WARRANTY:



NOTES:

Available on request anti-steam KIT ART. CB3/1 CB3/2



**MIRROR WITH ROOM LIGHT BEHIND THE MIRROR
AND FRONTAL LIGHT art. L45930**



TECHNICAL INFORMATION:

The LED's assembled in Italy, are easily replaceable.
230V, Classelll, IP44
Frontal LED on rigid support 2 x 9.8 WATT measuring 49.5x2.5 cm
2320 lm of cold white light (> 4000K) and
environment LED 2x11.28 WATT,
1370 lm of white cold light > 5500K CE
Comply with the directives 2006/95 / EC and 2004/108 / EC in
terms of electrical safety and electromagnetic compatibility

MATERIALS:

High-quality glass,
thickness 5 mm,
ecological production without lead and copper.
Structure of anodized aluminium

COMPATIBILITY ENERGY:

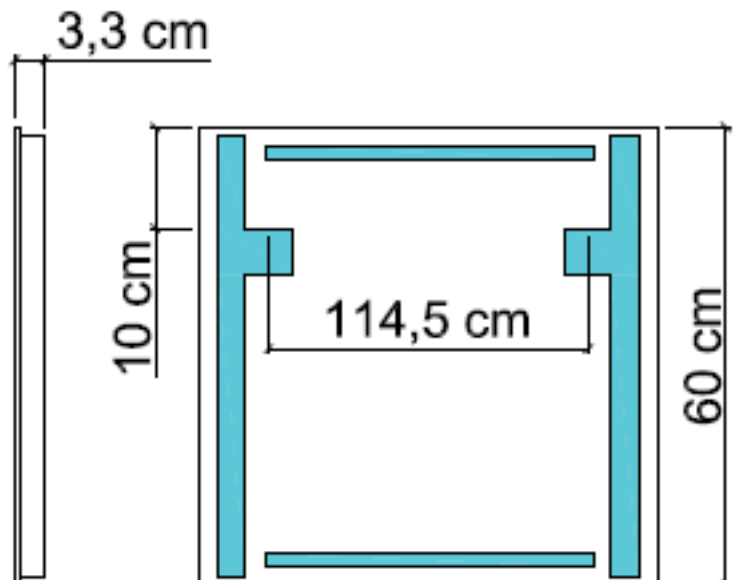
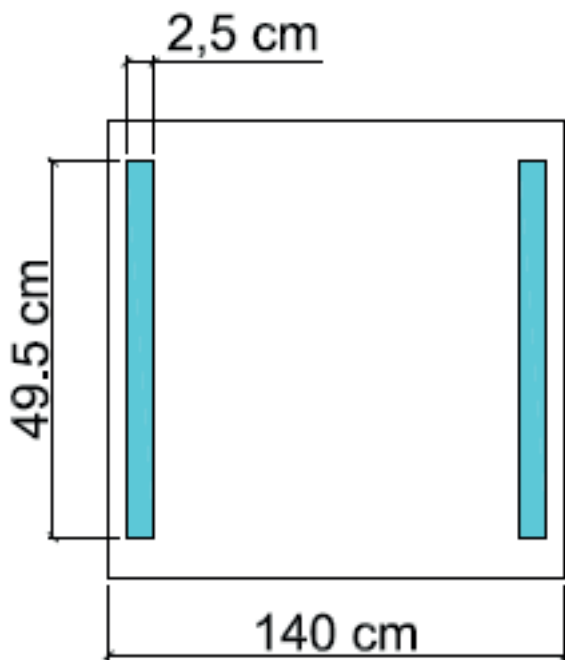


WARRANTY:



NOTES:

Available on request anti-steam KIT ART. CB3/1 CB3/2



**MIRROR WITH ROOM LIGHT BEHIND THE MIRROR
AND FRONTAL LIGHT art. L45931**



TECHNICAL INFORMATION:

The LED's assembled in Italy, are easily replaceable.
230V, Class III, IP44
Frontal LED on rigid support 2 x 9.8 WATT measuring 49.5x2.5 cm
2320 lm of cold white light (> 4000K) and
environment LED 2x11.58 WATT,
1370 lm of white cold light > 5500K CE
Comply with the directives 2006/95 / EC and 2004/108 / EC in
terms of electrical safety and electromagnetic compatibility

MATERIALS:

High-quality glass,
thickness 5 mm,
ecological production without lead and copper.
Structure of anodized aluminium

COMPATIBILITY ENERGY:

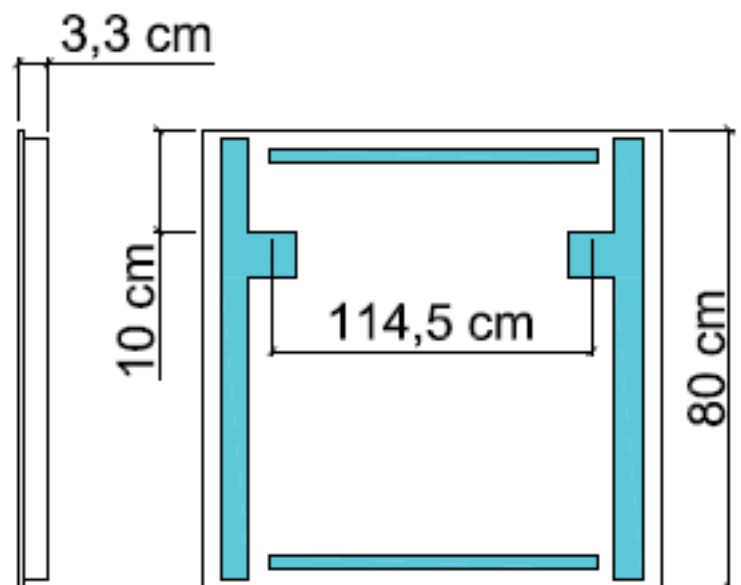
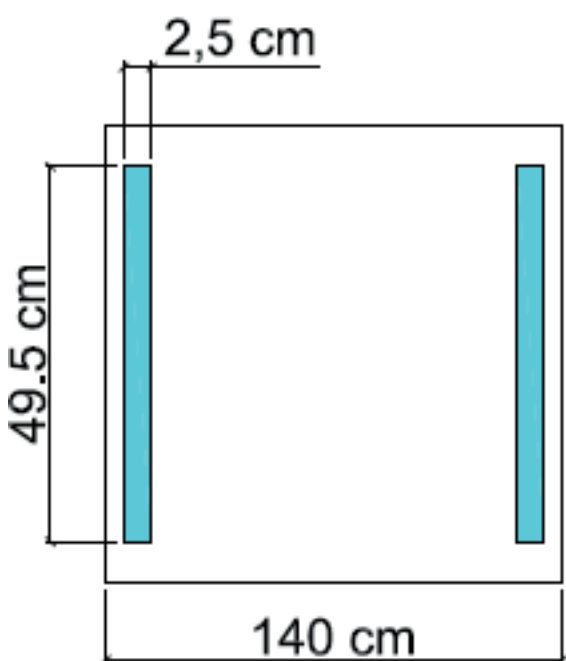


WARRANTY:



NOTES:

Available on request anti-steam KIT ART. CB3/1 CB3/2



**MIRROR WITH ROOM LIGHT BEHIND THE MIRROR
AND FRONTAL LIGHT art. L45931**



TECHNICAL INFORMATION:

The LED's assembled in Italy, are easily replaceable.
230V, Class III, IP44

Frontal LED on rigid support 2 x 9.8 WATT measuring 49.5x2.5 cm
2320 lm of cold white light (> 4000K) and
environment LED 2x5.52 WATT, 680 lm of white cold light > 5500K
CE

Comply with the directives 2006/95 / EC and 2004/108 / EC in
terms of electrical safety and electromagnetic compatibility

MATERIALS:

High-quality glass,
thickness 5 mm,
ecological production without lead and copper.
Structure of anodized aluminium

COMPATIBILITY ENERGY:

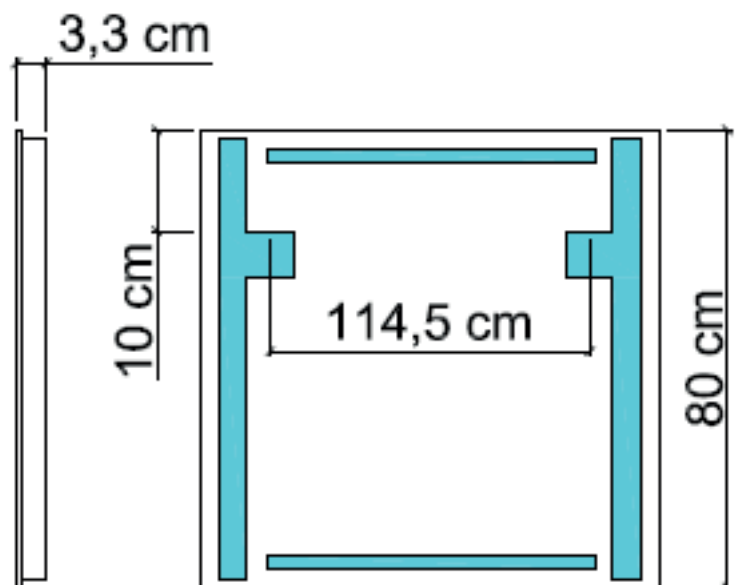
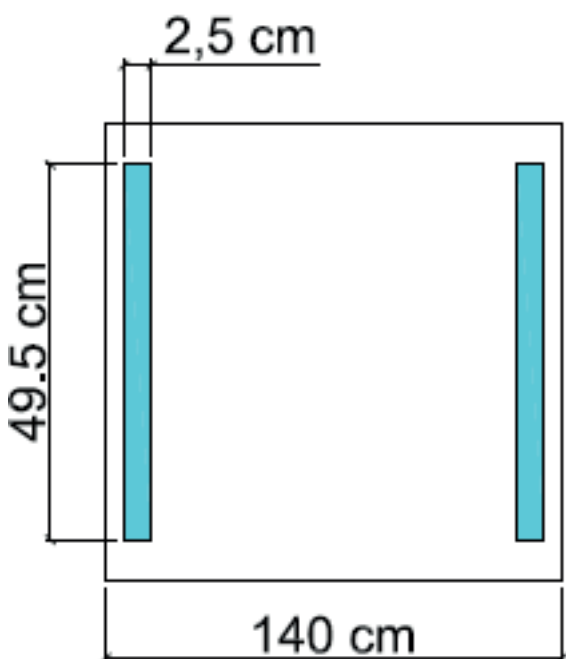


WARRANTY:

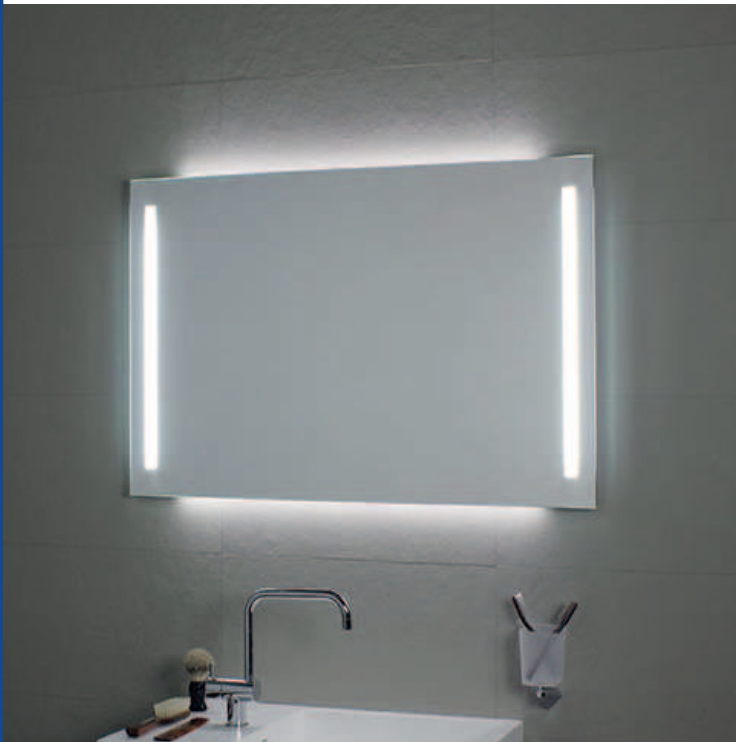


NOTES:

Available on request anti-steam KIT ART. CB3/1 CB3/2



**MIRROR WITH ROOM LIGHT BEHIND THE MIRROR
AND FRONTAL LIGHT art. L45959**



TECHNICAL INFORMATION:

The LED's assembled in Italy, are easily replaceable.
230V, ClassIII, IP44

Frontal LED on rigid support 2 x 9.8 WATT measuring 49.5x2.5 cm
2320 lm of cold white light (> 4000K) and
environment LED 2x7.44 WATT, 915 lm of white cold light > 5500K
CE

Comply with the directives 2006/95 / EC and 2004/108 / EC in
terms of electrical safety and electromagnetic compatibility

MATERIALS:

High-quality glass,
thickness 5 mm,
ecological production without lead and copper.
Structure of anodized aluminium

COMPATIBILITY ENERGY:

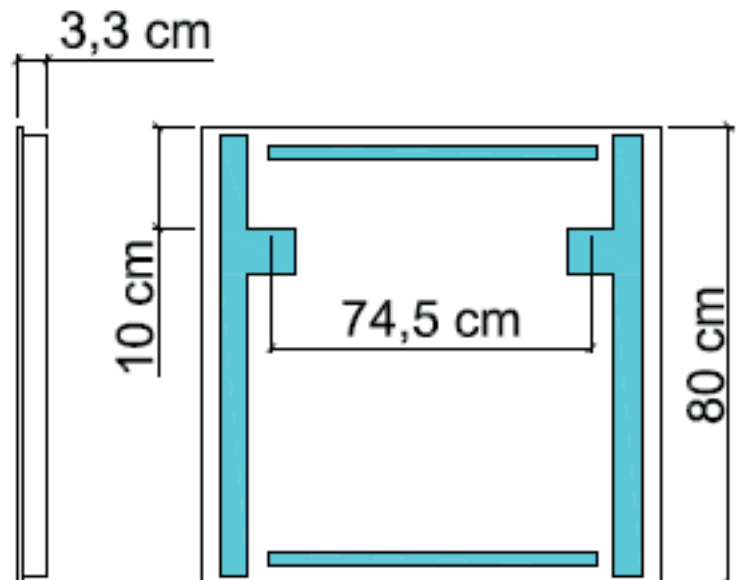
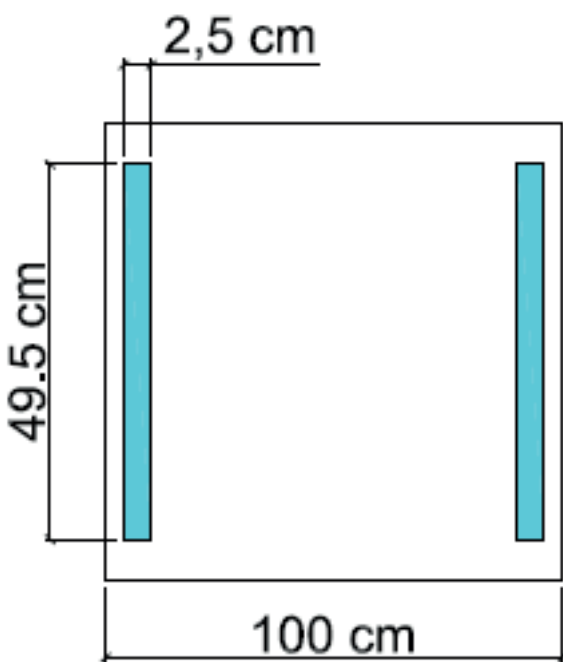


WARRANTY:



NOTES:

Available on request anti-steam KIT ART. CB3/1 CB3/2



MIRROR WITH ROOM LIGHT BEHIND THE MIRROR AND FRONTAL LIGHT art. L45960



TECHNICAL INFORMATION:

The LED's assembled in Italy, are easily replaceable.
230V, ClassIII, IP44
Frontal LED on rigid support 2 x 9.8 WATT measuring 49.5x2.5 cm
2320 lm of cold white light (> 4000K) and
environment LED 2x9.36 WATT,
1140 lm of white cold light > 5500K CE
Comply with the directives 2006/95 / EC and 2004/108 / EC in
terms of electrical safety and electromagnetic compatibility

MATERIALS:

High-quality glass,
thickness 5 mm,
ecological production without lead and copper.
Structure of anodized aluminium

COMPATIBILITY ENERGY:



WARRANTY:



NOTES:

Available on request anti-steam KIT ART. CB3/1 CB3/2

